

Fluid bed systems

GPCG 2 LabSystem

GPCG 2 LabSystem

DRYING

GRANULATING

COATING

PELLETIZING



We set the standard

The very best for your laboratory

The innovative GPCG 2 LabSystem from Glatt

Absolute flexibility

The full range of fluid bed processes. In top quality. For new ideas and top products.

- Drying (in the granulating insert).
- Granulating (Top Spray in the granulating insert).
- Coating (Bottom Spray in the HS-Wurster*).
- Pelletizing (Tangential Spray in the rotor insert).

Optimum batch size - from 0.3 kg to 5 kg**. With textile filter or metal filter and various bottom screens. With Glatt single-arm spray nozzle, powder-feed and other innovations. In the standard version or customised to suit your specific requirements. The perfect equipment to ensure your success.

Step up safety

Your safety is of utmost importance to us. The PRO concept from Glatt. No compromises, instead maximum safety.

- No pressure relief.
- Environmental and personal protection with a contained system.
- For all dusts up to an explosion pressure of 10 bar and their hybrid mixtures.
- New sealing system. Less weight and better handling.
- As a total containment version for highly active substances.

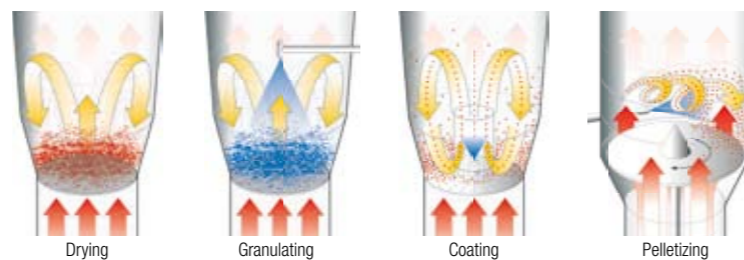
Top for clinical sample production

The highest of requirements apply in the manufacture of clinical samples. Problems are something you can do without. What you need is the GPCG 2.

- Easy-to-clean design.
- Comprehensive process documentation.
- Validation of processes.



Batch sizes from 0.3 kg to 5 kg**



Function and form taken to perfection

The innovative GPCG 2 LabSystem from Glatt

Optimum process control

Customer expectations are high. Fast and simple process control is what counts. The solution: ProcessView from Glatt.

- Touch-screen control.
- Swivelling operating panel.
- Perfect ergonomics for the operator.
- Integrated recipe handling.
- Batch report.



Swivelling operating panel

Excellent handling and integrated technology

Perfect solutions and sophisticated design. The GPCG 2 offers all the advantages of integrated technology and top quality processing.

- Centralised process inserts, removeable and rotatable for product discharging.
- Simple filling and discharging.
- Problem-free cleaning.
- Plug & Play. Just connect it and you're off.
- Ergonomically arranged connections.
- Rotating mesh for contained emptying. Removable product container.
- Unique work surface made of synthetic granite. Resistant to solvents, scratch-proof and impact-proof. It still looks like new even after years of use.



Removeable and rotatable product container



Support for laboratory equipment

Modular design

Expect absolute flexibility. Integrated modules offer you options now or in the future.

- Dehumidification of inlet air.
- Downstream deduster for dust sensitive coating processes.
- Additional storage space for process accessories.

* patented
** product dependent
Some of the features mentioned in this brochure are optional



GPCG 2 LabSystem with storage modul

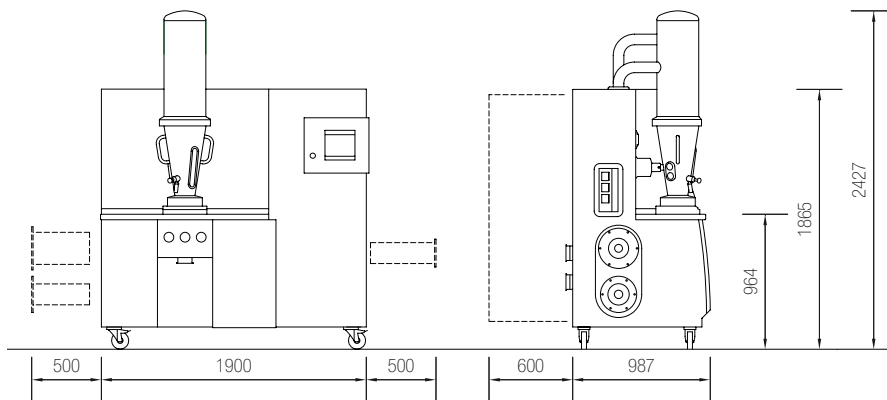
Technical Data / Addresses

GPCG 2 LabSystem

Batch sizes	Granulating insert	small ¹⁾	standard	large
	Wurster insert (4" and 6") ²⁾	1 - 3 l	2 - 6 l	5 - 12 l
	Rotor insert ²⁾	2 l	3.5 l	–
Electrical power ³⁾	Operating voltage	–	5 l	–
	Frequency	1 x 230 V and 3 x 400 V		
	Total connected load	50 Hz		
	Connector	3.5 / 15 kW		
Compressed air	Max. consumption	CEE form 3-pin / 5-pin		
	Pressure	12 m ³ / h		
	Connection	6 bar(g)		
Inlet air heater, electric	Max. inlet air temperature	Hose connection		
Dimensions	Height	120° C		
	Width	2427 mm		
	Depth	1900 mm		
Weight		1000 kg		
Spray pump ^{2) 3)}	Max. output	53 ml / min		
	Connection voltage	230 V		
	Frequency	50 Hz		

1) Only together with the tower bypass for process air 2) Optional 3) Other voltages and frequencies on request

(Subject to technical alternations)



The innovative GPCG 2 LabSystem from Glatt

- Drying
- Granulating
- Coating
- Pelletizing



Glatt GmbH Process Technology

Werner-Glatt-Straße 1
79589 Binzen / Germany
Phone: +49 7621 6 64 0
Fax: +49 7621 6 47 23
eMail: info@glatt.com

Glatt Maschinen- & Apparatebau AG

Kraftwerkstrasse 6
4133 Pratteln / Switzerland
Phone: +41 61 8 26 47 47
Fax: +41 61 8 26 48 48
eMail: info@glatt.com

Glatt Ingenieurtechnik GmbH

Nordstraße 12
99427 Weimar / Germany
Phone: +49 3643 47 0
Fax: +49 3643 47 12 31
eMail: info@glatt-weimar.de

Glatt Air Techniques Inc.

20 Spear Road
Ramsey, NJ 07446 / USA
Phone: +1 201 8 25 87 00
Fax: +1 201 8 25 03 89
eMail: info@glattair.com

Glatt Norden ApS.

Skøjtevej 27 - 31
2770 Kastrup / Denmark
Phone: +45 48 14 22 44
Fax: +45 48 14 22 55
eMail: info@glattnorden.dk

Glatt Pharmatech SASU

Parc Technologique
6, rue Louis Néel
21000 Dijon / France
Phone: +33 3 80 74 32 64
Fax: +33 3 80 74 43 95
eMail: info@glatt-pharmatech.fr

Glatt Protech Ltd.

Swannington Road
Cottage Lane Ind. Est.
Broughton Astley
Leicester LE9 6TU / Great Britain
Phone: +44 1455 28 58 58
Fax: +44 1455 28 55 10
eMail: info@glatt-protech.co.uk

www.glatt.com



We set the standard